

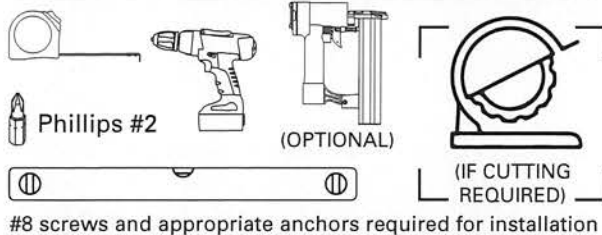
CavitySliders™

The Pocket Door Experts

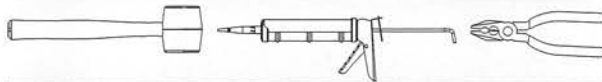
Assembly and Installation Instructions for CS Cavity Slider™ Kitset Pocket Frame

* Model: 3068, 3080, 4080















Tools Required - Assembly



Tools Required - Trim Fitting



Parts List

	Corner Joining Bracket	x8
	Split Jamb Joining Bracket	x4
	Slat Joining Bracket	x12
	#8 x 33/64" (13mm) Self Drilling Gold Plated	x32
	#10 x 35/64" (14mm) Self Tapping Zinc Plated	x36
	1/4 Crown x 3/8 Leg" 18-Gauge Finish Staple	x32
	Foam Stop	x2
	T-Guide Base	x1
	Short T-Guide	x1
	Long T-Guide	x1
	Bi-Parting Pin	x1
	Block Clip	x12
	Trim Clip	x16
	Jamb Spreader	x1

Safety Gear Required



Cut Extrusions to Length as Required



Dimensions below suit 3/4" (19mm) jamb thickness

DW = Door Width
DH = Door Height

A	Back Stud	x1	DH + 2 7/8" (DH + 74mm)
B	Split Jamb * 3068	x2	DH + 2 11/16" (DH + 68mm)
B	Split Jamb * 3080/4080	x2	DH + 2 11/16" (DH + 68mm)
C	Track	x1	DW x 2
D	Bottom Plate	x1	DW - 1/8" (DW - 3mm)
E	Slat * 3068	x6	DW - 4" (DW - 101.5mm)
E	Slat * 3080/4080	x6	DW - 5 9/16" (DW - 141.5mm)
F	Top Fixing Block	x2	DW + 1/8" (DW + 3mm)
G	Bottom Fixing Block * 3068	x2	DW - 7 1/2" (DW - 190mm)
G	Bottom Fixing Block * 3080/4080	x2	DW - 9" (DW - 230mm)

Assembly

1.

B x 2

*3080/4080

*3068

x 4

#8 x 33/64" (13mm)
Self Drilling Gold Plated
x 8

(or staples)

2.

E x 6

x 12

#8 x 33/64" (13mm)
Self Drilling
Gold Plated
x 24

(or staples)

3.

C

Notched end

#10 x 35/64" (14mm)
Self Tapping
Zinc Plated
x 2

4.

A

#10 x 35/64" (14mm)
Self Tapping
Zinc Plated
x 2

D

5.

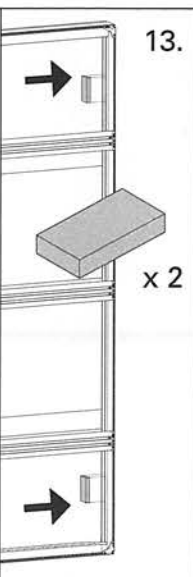
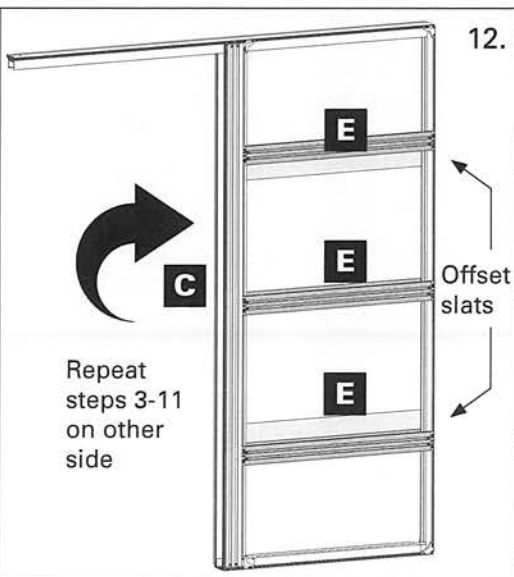
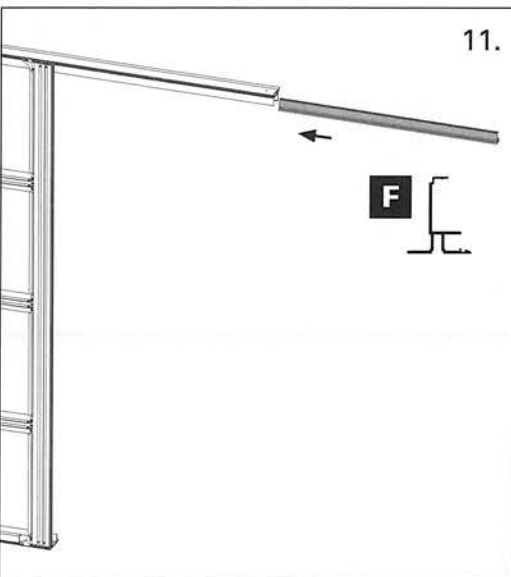
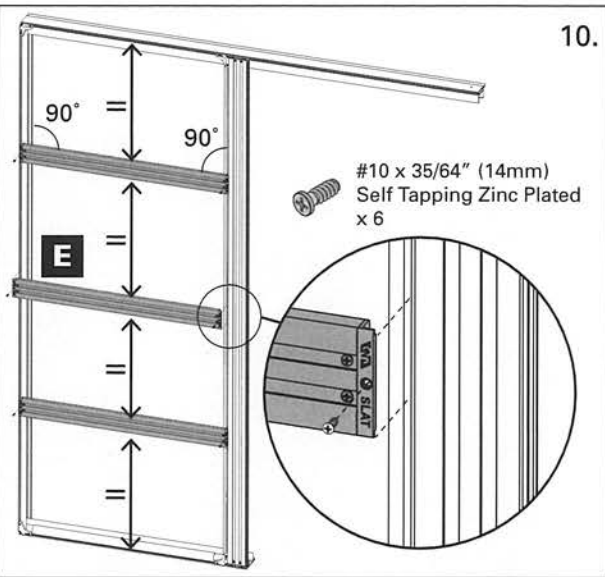
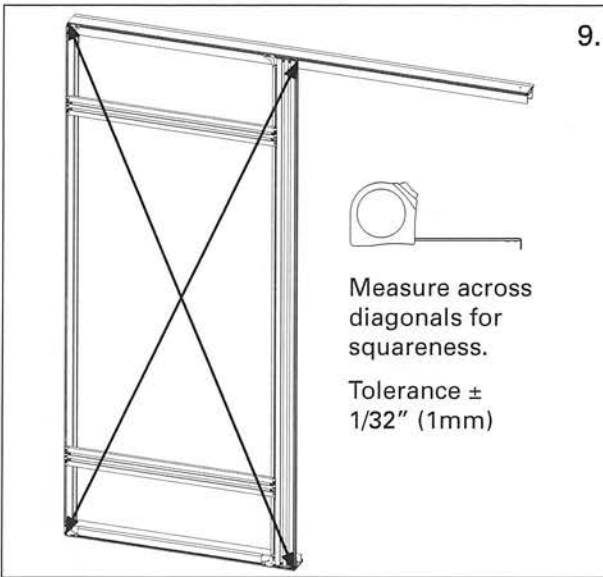
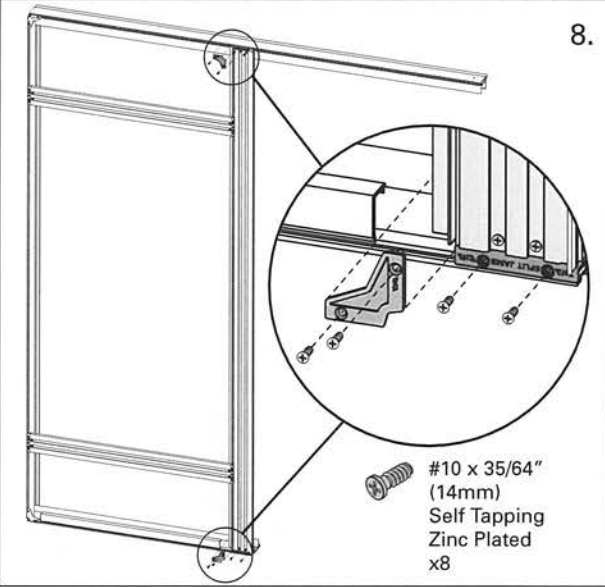
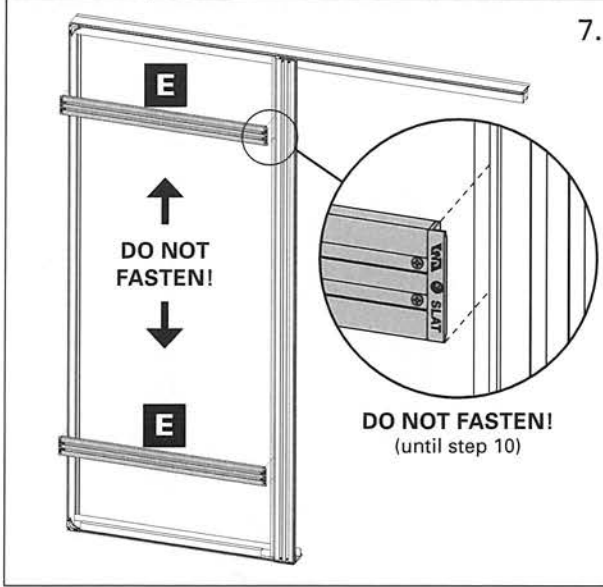
G

6.

B

DO NOT FASTEN!
(until step 8)

Assembly



Assembly

13. Mount plate with stop

FRONT REAR

3-3/8" (85mm)

6" (150mm)

∅ 1" (25mm)
1/2" (13mm) deep

1/4" x 13/16"
5 - 5.5 x 20 - 21mm

FRONT

Mount plate without stop

FRONT

3-3/8" (85mm)

14. Standard (non-SofStop) M6/M8 carriages

FRONT EDGE

OR

14. SofStop® Single Soft Close

FRONT EDGE

14. SofStop® Twin Soft Open & Close ONLY

Rear activator x1

FRONT EDGE

OR

Slide rear activator to middle of pocket first

DO NOT LINE THE POCKET UNTIL THE SOFSTOP MECHANISM HAS BEEN INSTALLED AND TESTED.

15.

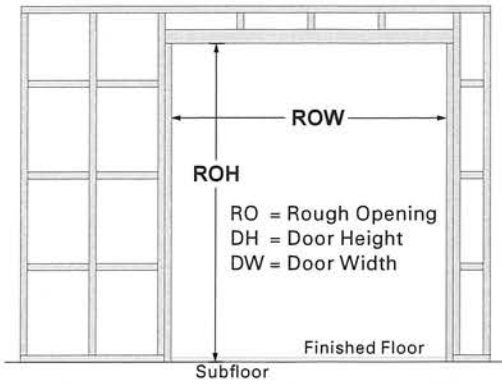
Adjust T-Guide to minimize clearance in groove

16.

#8 screws (not supplied)

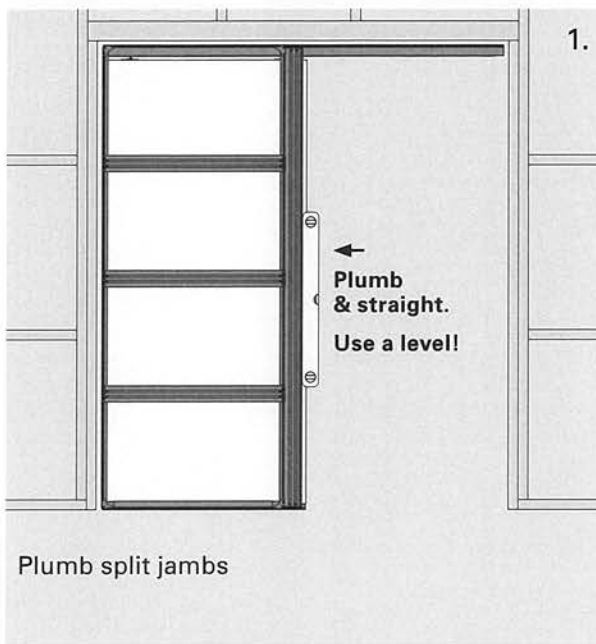
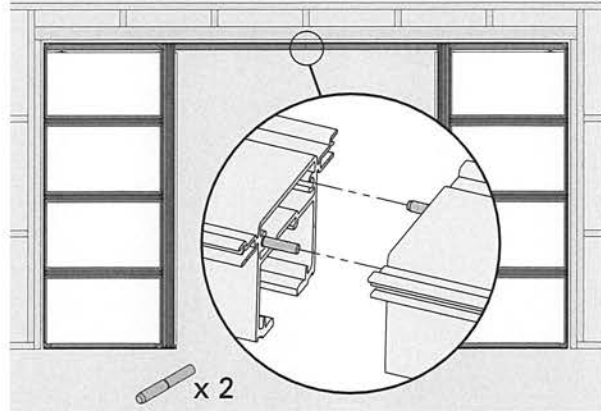
Closing jamb optional.
See page 10 for suggested detail

Installation

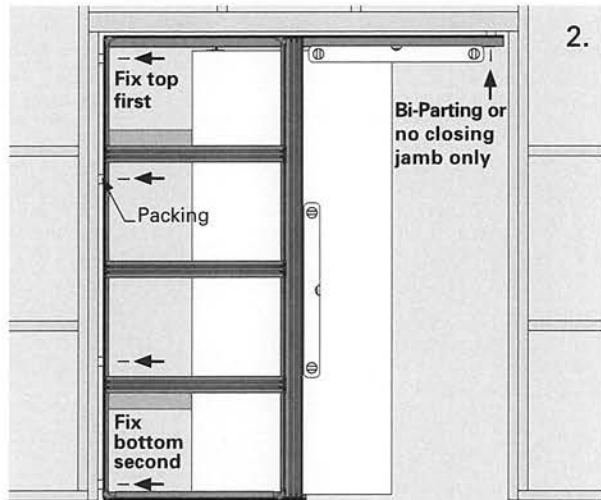


Dimension	inches	mm
RO height (ROH)	DH + 4 1/4"	DH + 108
RO width - Single	(DW x 2) + 2"	(DWx2) + 51
RO width - Bi-Parting	(DW x 4) + 2"	(DWx4) + 51

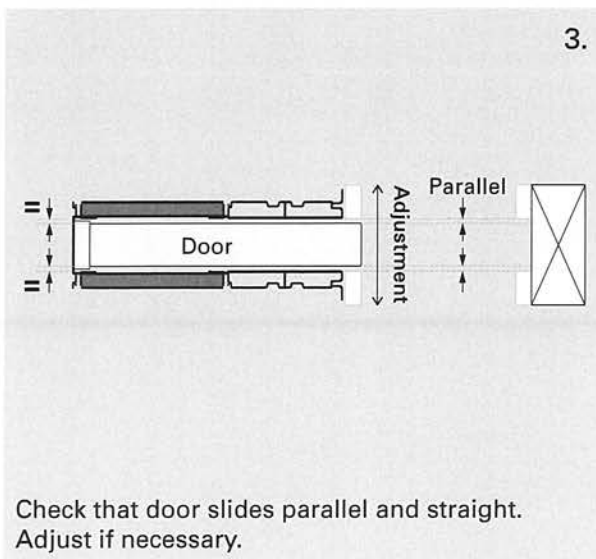
Bi-Parting units only



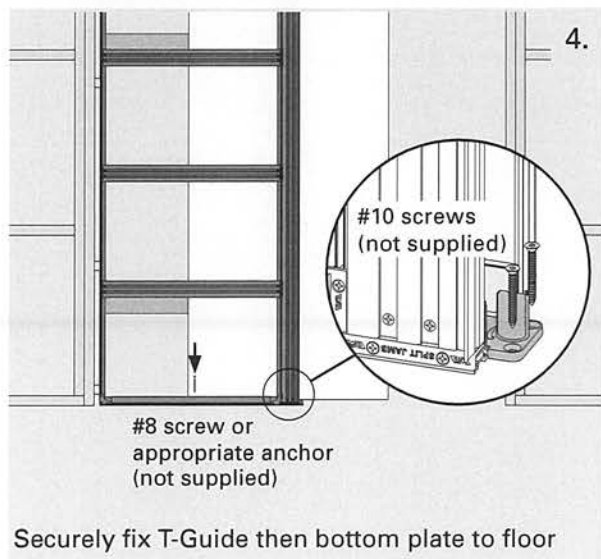
Plumb split jambs



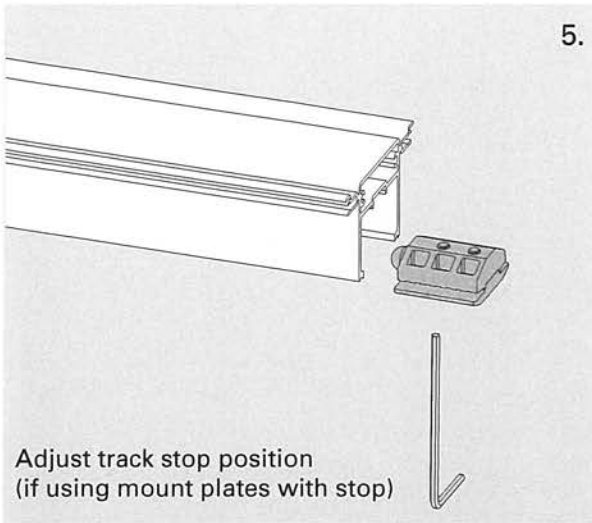
Keep plumb and pack where required.
Fix back stud with #8 countersunk screws (not supplied).
Bi-Parting units or units with no closing jamb need to be fixed to the lintel through the pre drilled hole, otherwise **DO NOT** fix through the track.



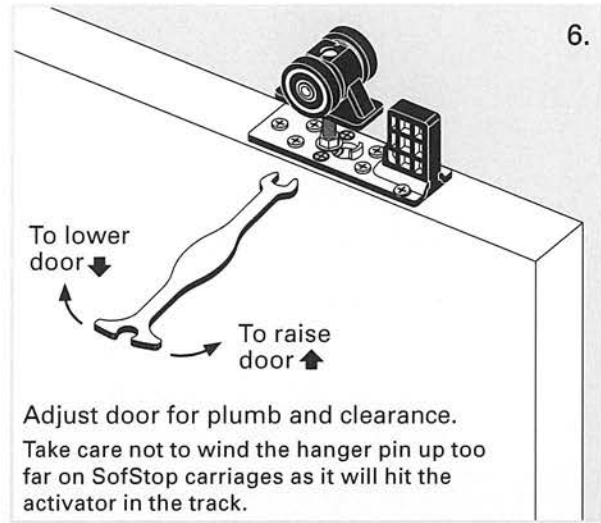
Check that door slides parallel and straight.
Adjust if necessary.



Securely fix T-Guide then bottom plate to floor



5. Adjust track stop position (if using mount plates with stop)



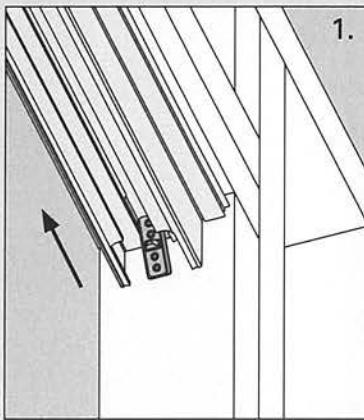
6. Adjust door for plumb and clearance. Take care not to wind the hanger pin up too far on SofStop carriages as it will hit the activator in the track.

SofStop® Single & Twin

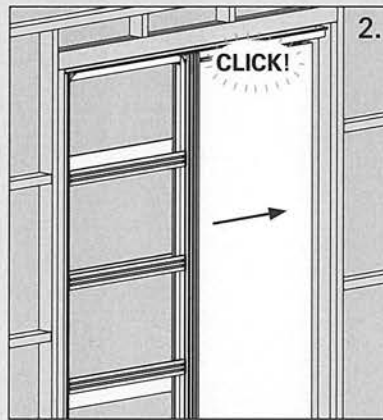
Note: *Single Soft Close* requires one front activator only.

Twin Soft Open & Close requires two activators. One should already be in the track above the pocket (Page 4).

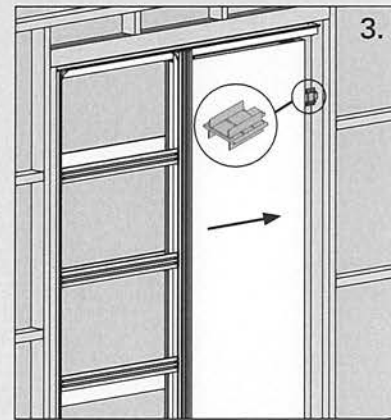
Set front activator position.



1. Slide activator to centre of door opening and **tighten one grub screw**.

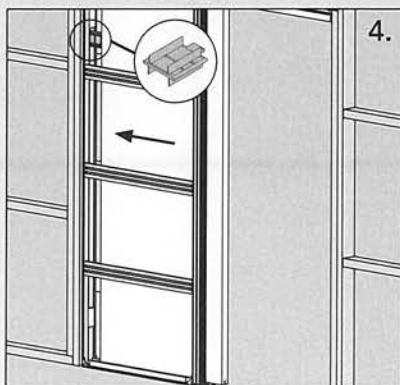


2. Gently **close door** until activator clicks. The cassette is now charged. **Open door** & loosen activator grub screw.



3. Hold jamb spreader on closing jamb/finished wall & gently close door. Activator will slide to correct position. Securely tighten grub screws.

SofStop® Twin ONLY



4. Set rear activator position.

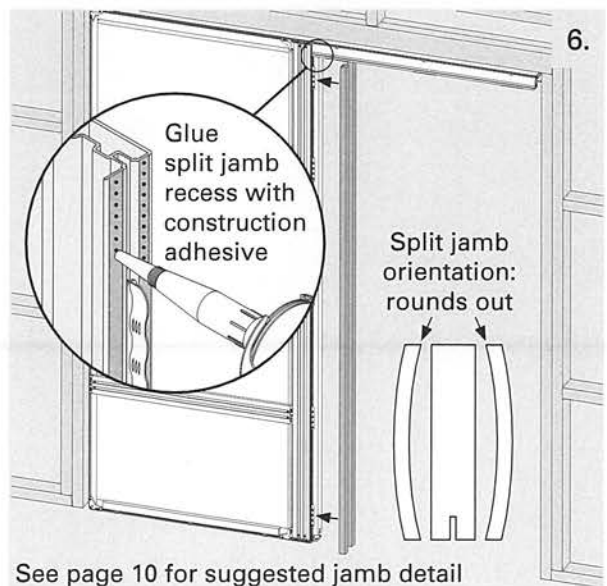
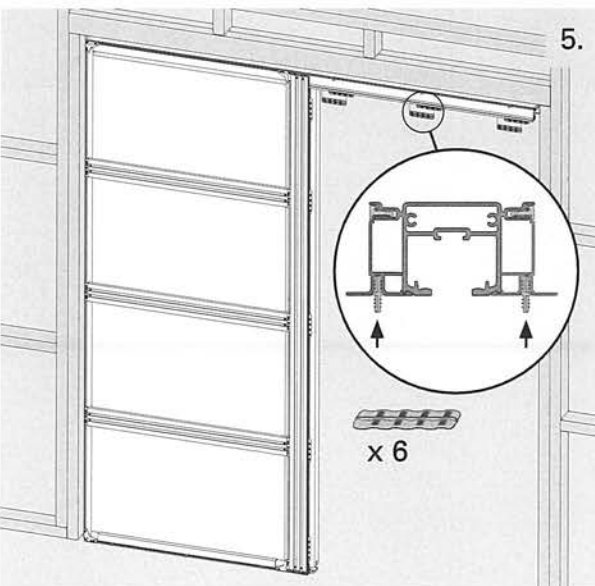
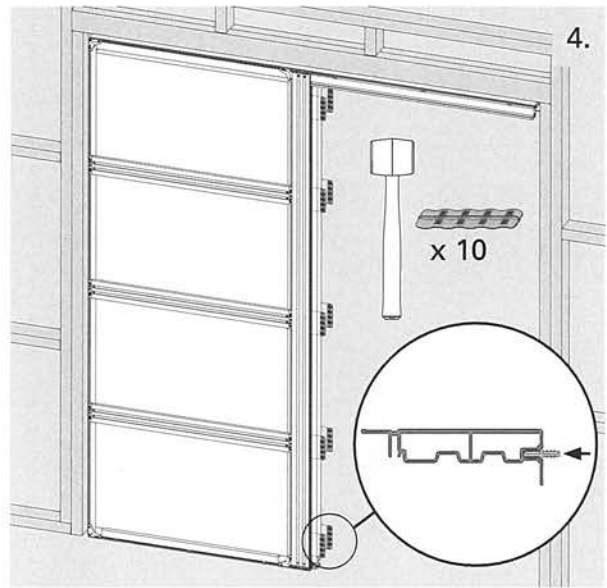
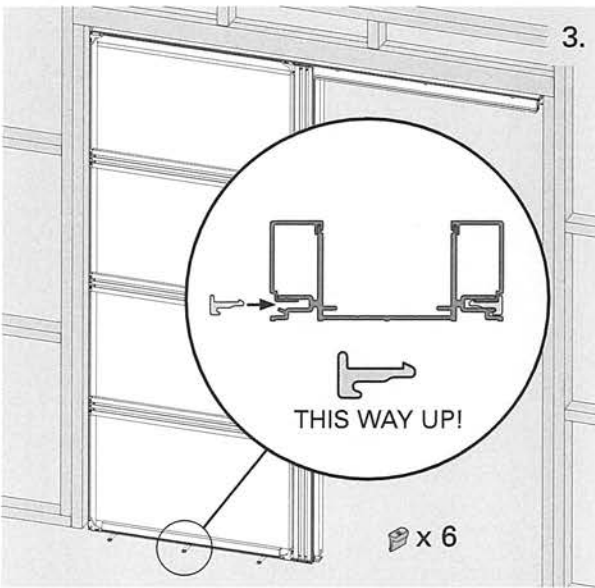
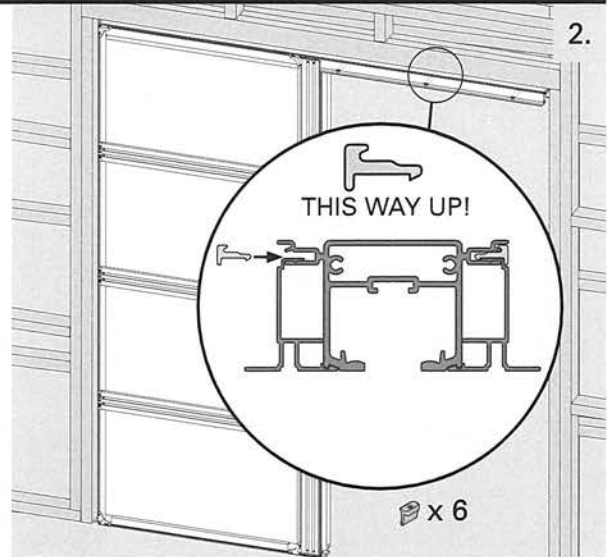
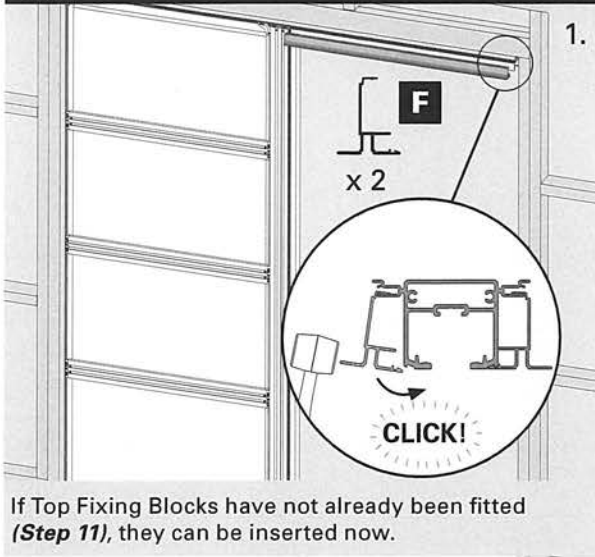
Close the door and move the rear activator into the approximate centre of the pocket.

Do not tighten grub screws.

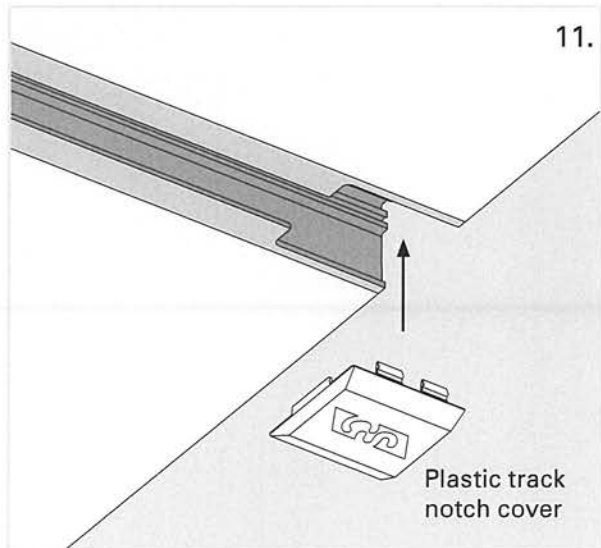
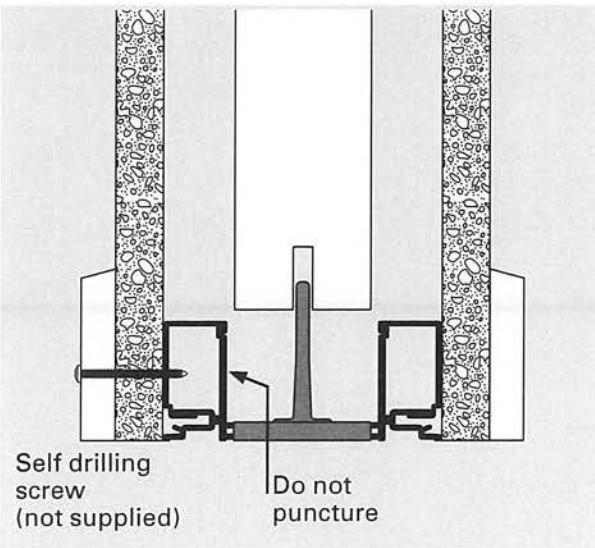
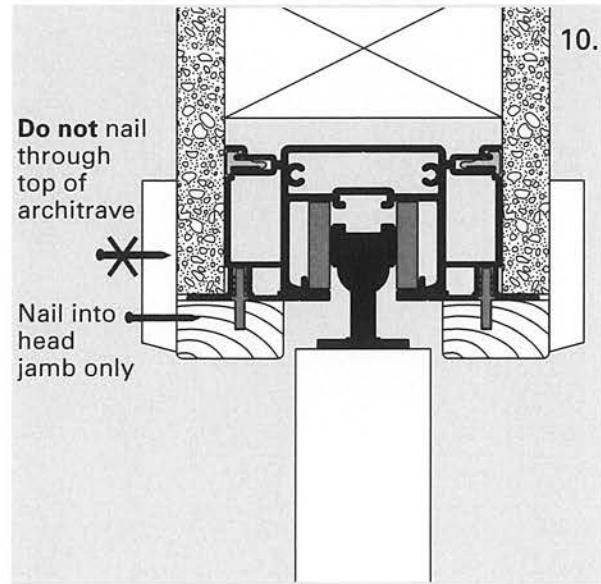
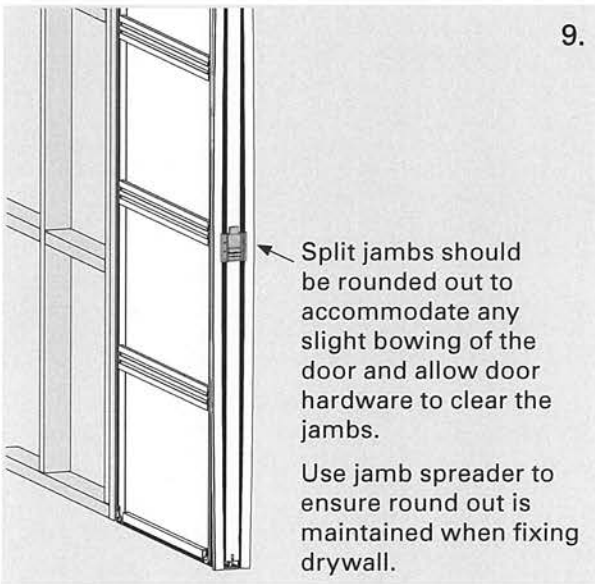
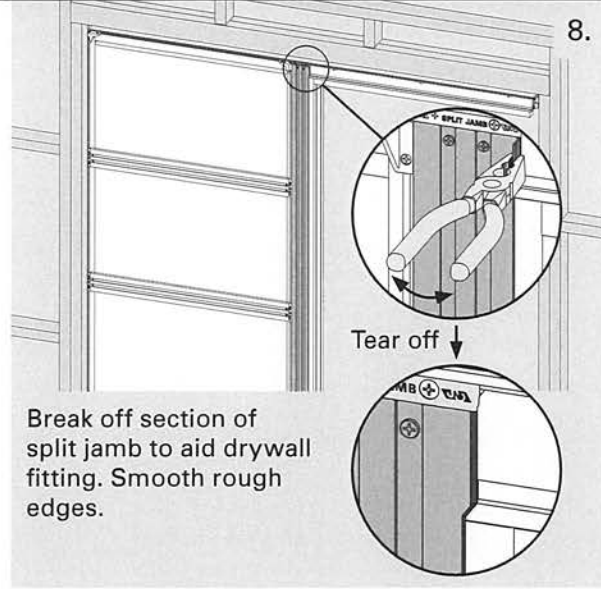
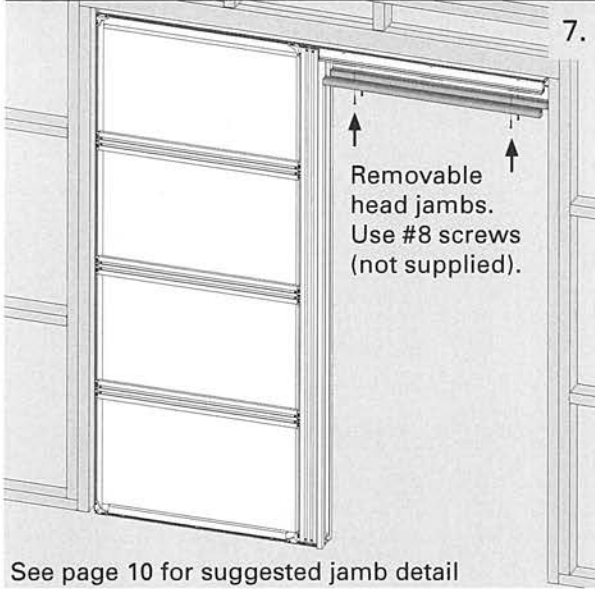
Position the jamb spreader inside the back stud and gently open the door onto it.

The activator will slide along the track into the correct position.

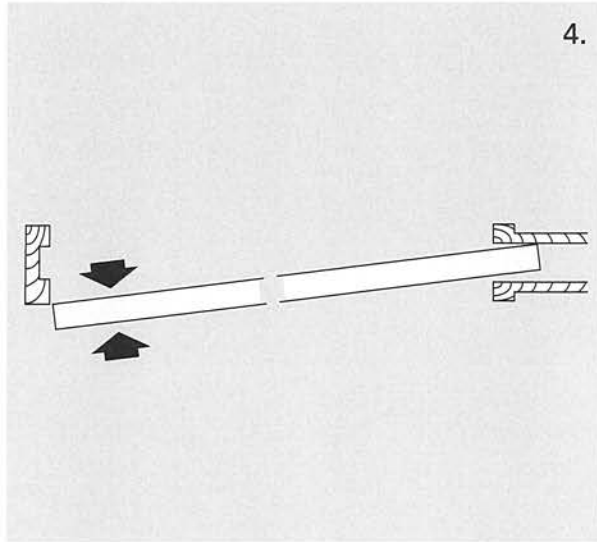
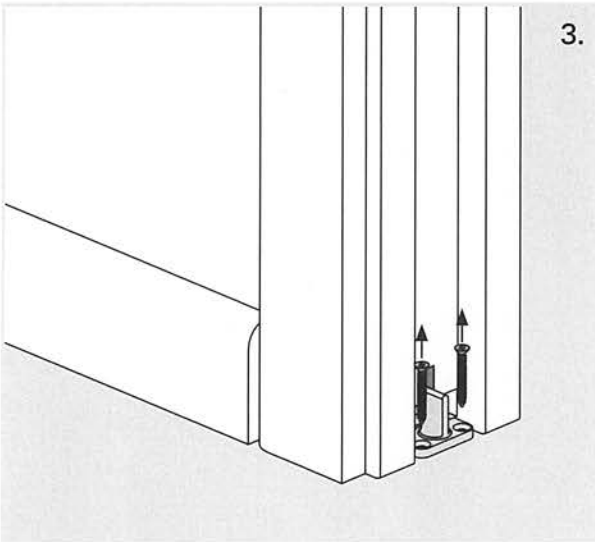
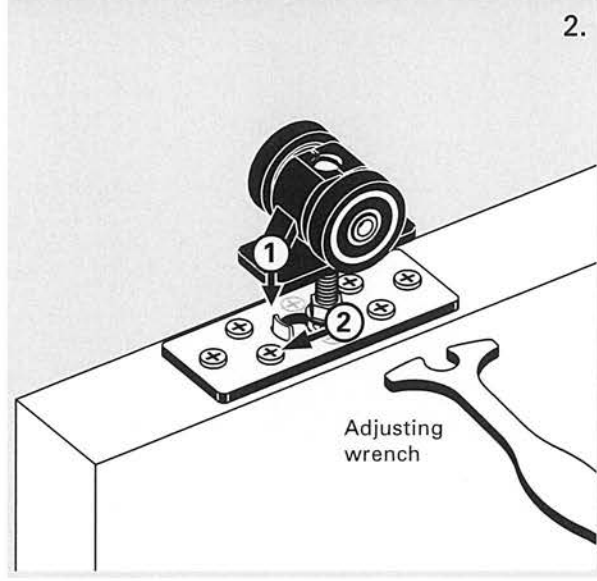
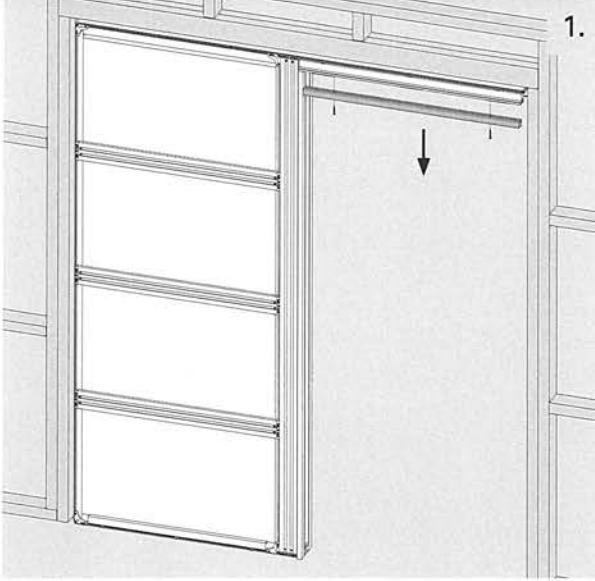
The rear activator is now positioned. Securely tighten all four grub screws.



Trim/Finishing

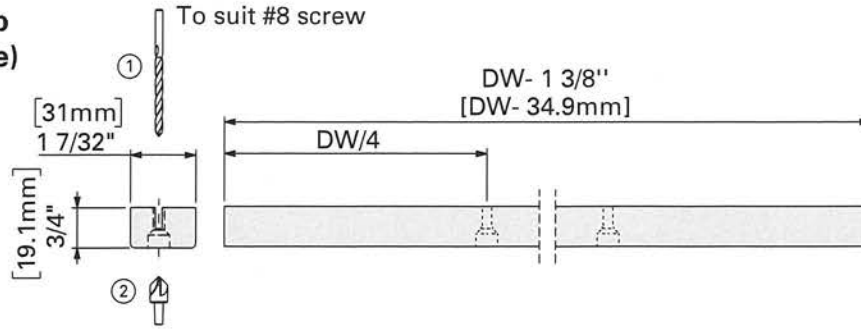


Removing Door

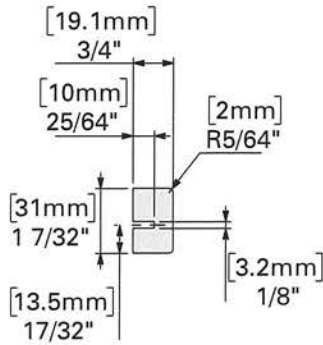


Suggested Wooden Jamb Detail - To suit 1/2" (12.5mm) drywall and 1 3/4" (44.5mm) thick door

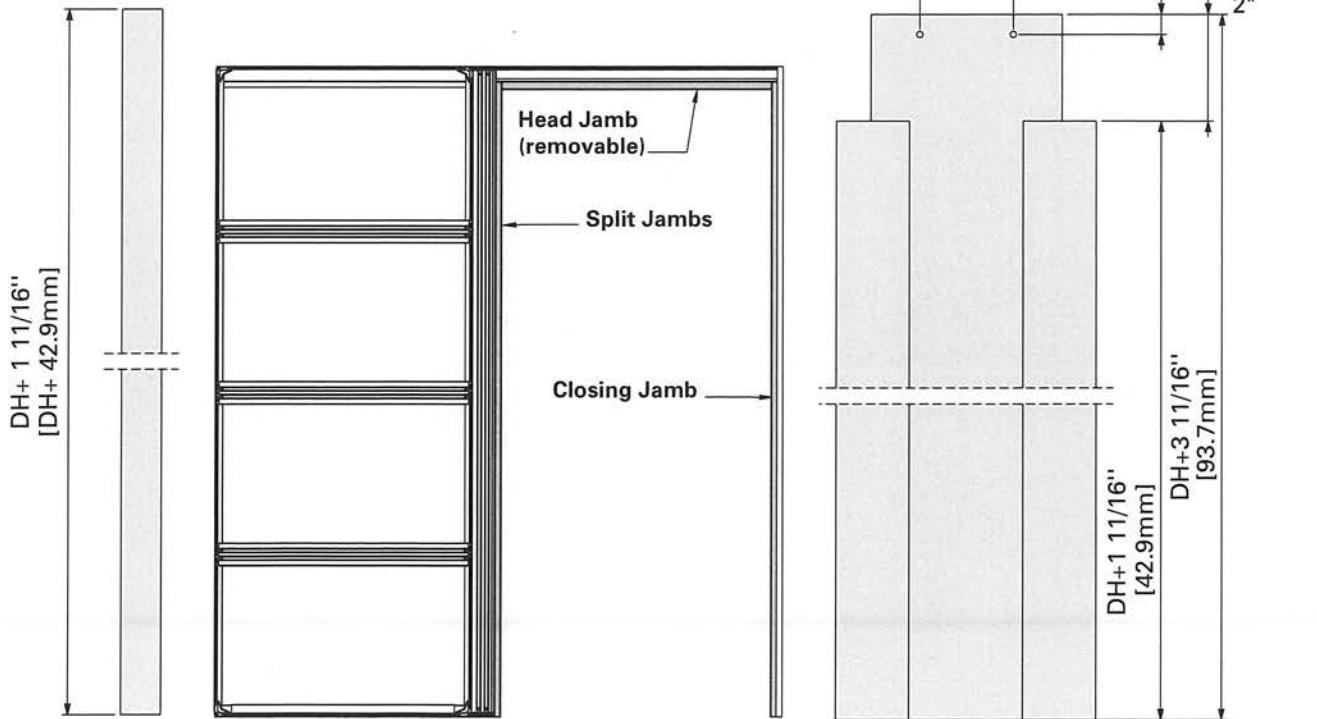
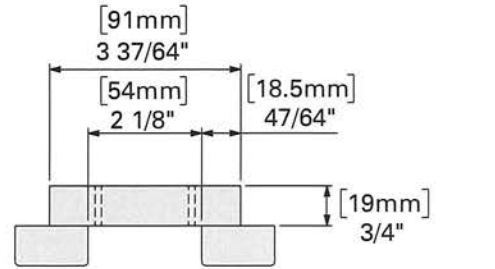
Head Jamb (removable)



Split Jamb



Closing Jamb



© All copyright and other property in this document is reserved by Cavity Sliders USA Inc. Details and specifications are subject to change without notice. Whilst all care is taken to ensure the accuracy of all information, no responsibility will be accepted for any errors or omissions. Drawings are not to scale.

CS CAVITY SLIDER™ (O.D. 2019). ZG00202 - 02.2020